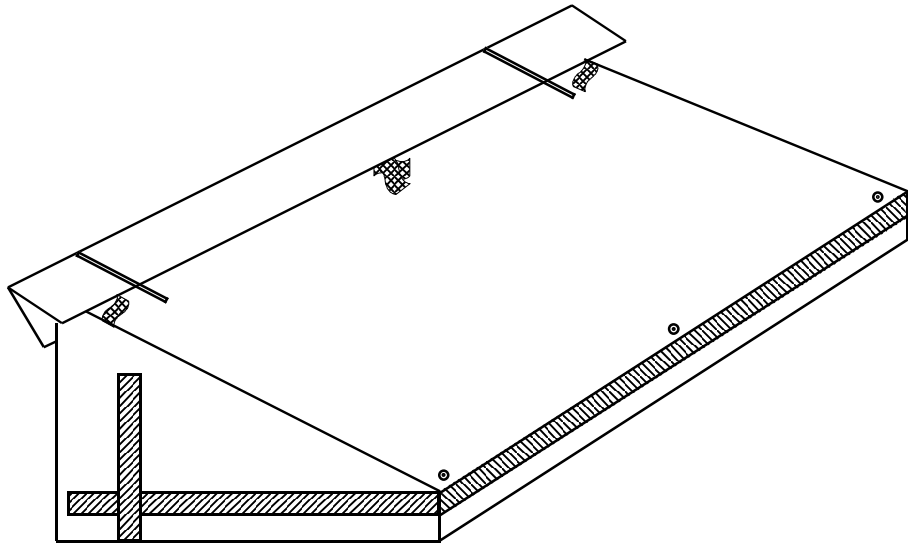


BAG AWNING ERECTION INSTRUCTIONS

- (1) unroll awning from bag (camper may be lowered still if needed)
- (2) adjust long spreader in pocket to loosely line holes with corner eyelets
- (3) insert corner poles through hole in spreader and eyelet in awning
- (4) push one spring loaded roof spreader against camper in one corner of bag and while adding tension to spring, place spike into hole in upright corner pole (attach velcro around this pole near top of awning)
- (5) repeat with other corner
- (6) centre is the same but spike goes through eyelet only
- (7) adjust spreader until tight
- (8) attach guy ropes if needed
- (9) to dismantle reverse instructions
- (10) uprights and spring spreaders may be rolled into awning if needed or stored inside camper (recommended)



1



2



3



4

