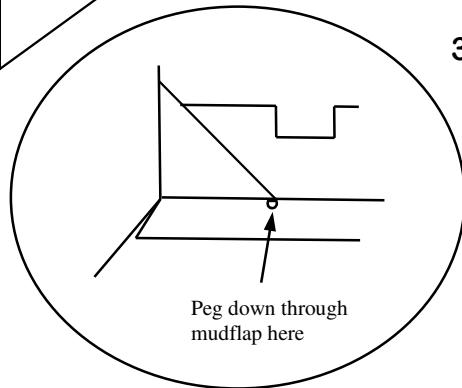
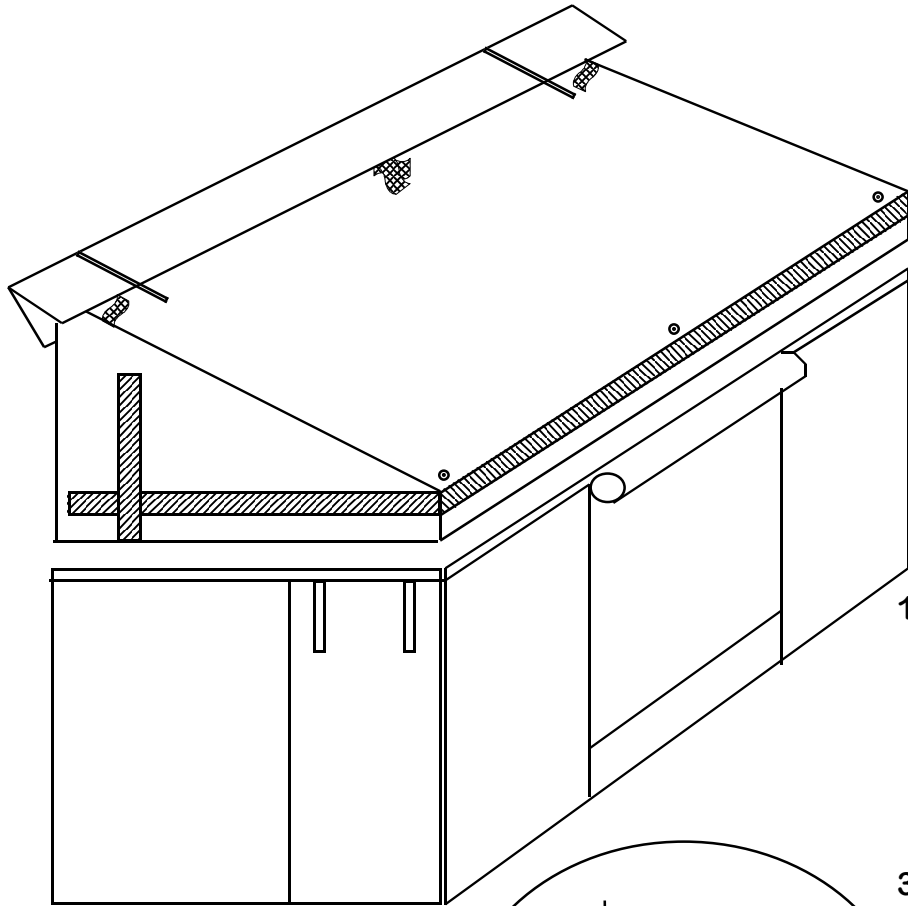


BAG AWNING WALLS ERECTION INSTRUCTIONS



- (1) Erect Bag Awning as per instruction sheet
- (2) Determine placement of walls (stripes should face outwards)
- (3) Velcro top of walls to bottom of awning
- (4) Lift end walls up and slide into track against van
- (5) Zip walls together at corners
- (6) Peg walls to ground
- (7) Press stud storm flap to caravan
- (8) Peg triangular flap to ground (See below. This will peg through the Storm Flap. Hole made by peg will not fray)

