

MEASURE SHEET - ROLL OUT AWNINGS AS AT NOV 2002

JOB for _____
a/c _____

Chassis No: _____
Type of attachment

standard/deluxe/superdeluxe
(CIRCLE TYPE NEEDED)

K M Prod No: _____

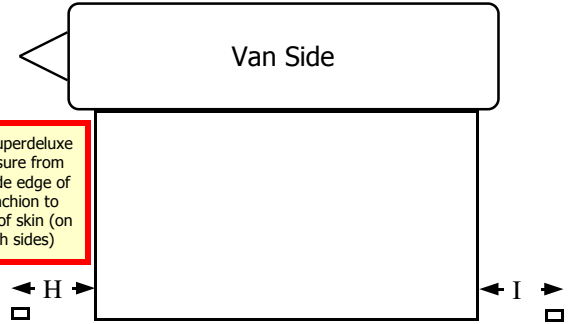
Date measured _____

Date needed _____

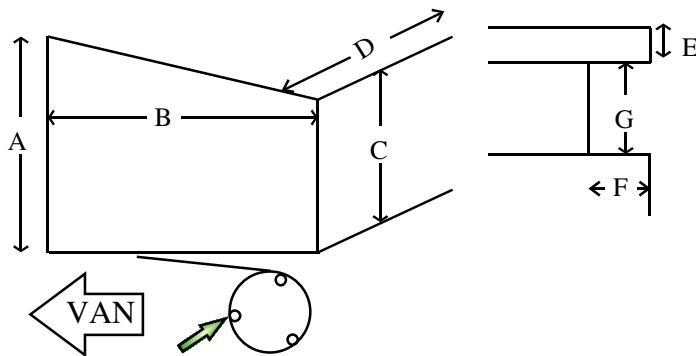
Specifications and Options

| | |
|---|--------------|
| Walls Lightweight Brella | Colour _____ |
| Extra Door | |
| Mesh Door | |
| Picture Window 1200wx900h (inside zip) | |
| Scenic Window 1800wx1800h (outside zip) | |
| Scenic Window 1200wx1800h (outside zip) | |
| Curved Roof Rafters | |
| Supply Side Track | |

For Superdeluxe
Measure from
outside edge of
stanchion to
edge of skin (on
both sides)

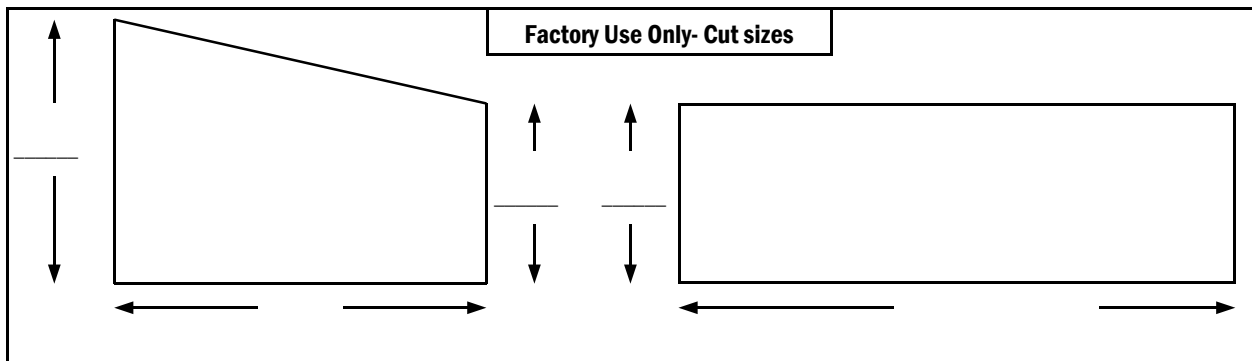
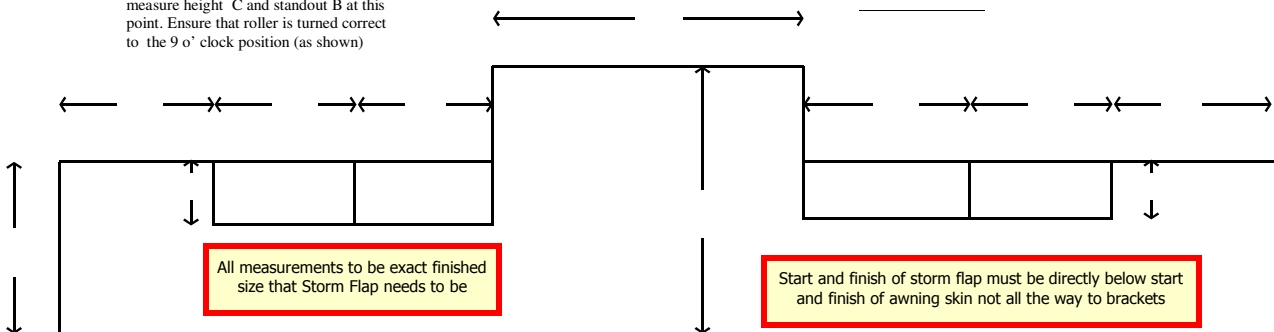


Mark position of doors and windows as needed



measure height C and stand out B at this point. Ensure that roller is turned correct to the 9 o'clock position (as shown)

- A _____ (Height to top of van)
- B _____ (Width from van to roller slot)
- C _____ (Height of roller slot)
- D _____ (Awning skin length)
- E _____ (Top of track to top of surround)
- F _____ (Width in + 50mm)
- G _____ (Height of surround)
- H _____ (Stanchion to skin (front of van))
- I _____ (Stanchion to skin (back of van))



Identity Marks
a/c name and Prod No. on label near door
a/c name and Prod No. on back of storm flap
a/c name and Prod No. on top pocket of all bags